

Scene

Pods

boss

Scene is a unique freestanding system providing the perfect space for focus working and collaboration. Scene affords the intimacy and privacy that is vital for today's workplace.

Configure your own Pod at
www.bossdesign.com/us





Range Information

- Occupancy: 2 to 10 people
- Acoustic rated up to 37 dB
- Delivery & Install **NOT** included



- Horizontal Beam lighting system.
- Acoustic fully upholstered walls
- Toughened frameless clear glass featuring 2 levels of DDA compliant white line manifestations.
- Integrated power arch
- Acoustic ceiling panels
- Clear glass sliding door with soft open/close
- Active PIR motion/occupancy sensor (passive infrared)

- **N.B. Acoustic performance is maximized when the pods are positioned on a carpeted surface and acoustic roof mat is selected.**



Model	Typical Occupancy	Frame Dimensions (H x W x D)	Price Band 1 Fabric	Price Band 2 Fabric	Price Band 3 Fabric
SCENE 1		89.5 x 79 x 59"	POA	POA	POA

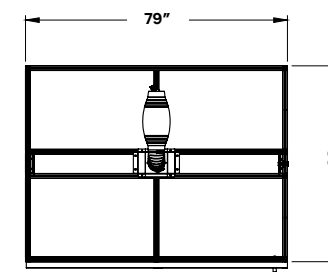
Price does not include packaging. Delivery and/or installation is an additional charge

Standard Specification

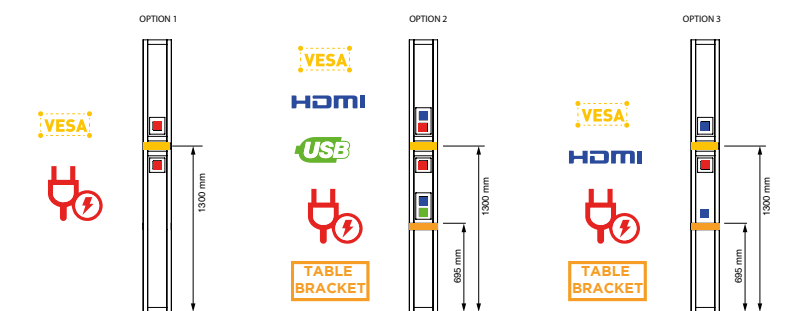
- Horizontal Beam Lighting.
- Acoustic fully upholstered 59" (1500mm) walls
- 0.25" (8mm) toughened frameless clear glass 79" (2007mm) walls featuring 2 levels of DDA compliant manifestations.
- 1 x Power arch with 1 x CAT6 power & data panel (2 power 2 data)
- Acoustic ceiling panels upholstered in Camira Nexus Chalk.
- 1 x 0.4" clear glass sliding door with soft open and close to include 2 levels of manifestations.
- 1 x Active PIR motion/occupancy sensor (passive infrared)
- 1.5" Satin Silver Anodised Aluminum frame
- 4" high aluminum extrusion crown as standard

Options

	\$
Select the Weather Lighting	POA
Airflow unit 10,595-12,713 ft ³ /h	POA
Oak Fluted wall panels (per pod)	POA
Oak Smooth wall panels (per pod)	POA
Cork - internal wall panels (each)	POA
Writeable glass (internal upgrade from acoustic)	POA
Magnetic writeable glass (internal upgrade from acoustic)	POA
Powder coating	POA
Sliding ventilation beam	POA
Work hub table upgrade	POA
Acoustic roof mat	POA
Door Lock - Handle Height (Pivoting Door)	POA
Door Lock - Floor Level (Sliding Door)	POA
AV Upgrade 1	POA
AV Upgrade 2	POA
AV Upgrade 3	POA
Change to 8mm Glass Pivot Door	POA
Rear acoustic wall upgrade Band 1	POA
Rear acoustic wall upgrade Band 2	POA
Rear acoustic wall upgrade Band 3	POA



Acoustic performance is maximized when the pods are positioned on a carpeted surface, and when the acoustic roof mat is specified.





Model	Typical Occupancy	Frame Dimensions (H x W x D)	Price Band 1 Fabric	Price Band 2 Fabric	Price Band 3 Fabric
SCENE 2	3 people icon	89.5 x 118 x 67"	POA	POA	POA

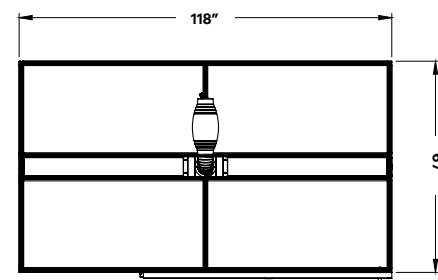
Price does not include packaging. Delivery and/or installation is an additional charge

Standard Specification

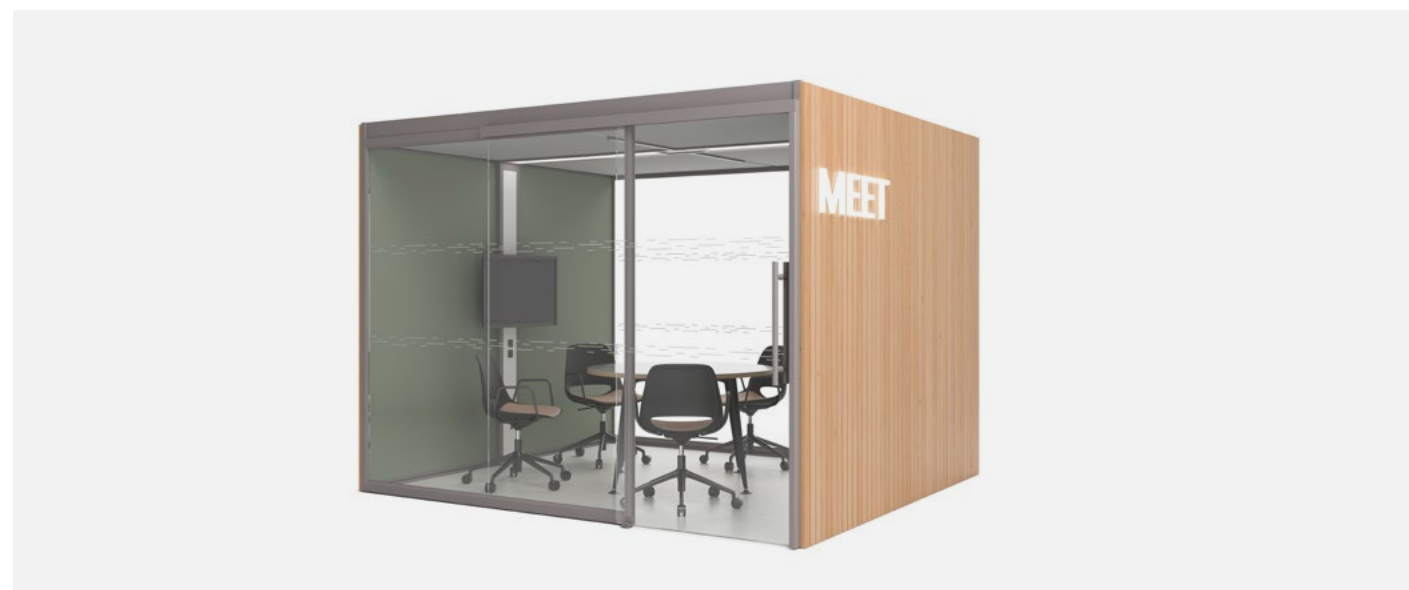
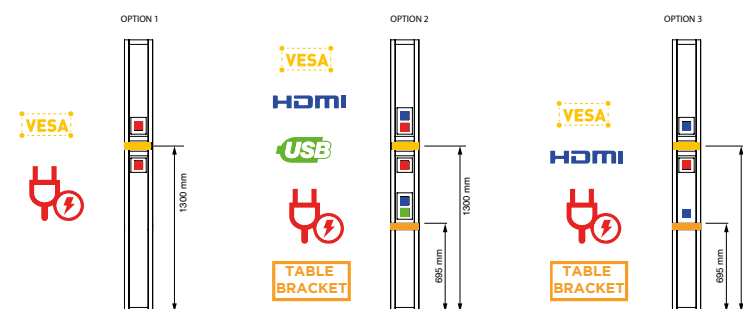
- Horizontal Beam Lighting.
- Acoustic fully upholstered 67" (1700mm) walls
- 0.25" (8mm) toughened frameless clear glass 118" (3000mm) walls featuring 2 levels of DDA compliant White line manifestations.
- 1 x Power arch with 1 x CAT6 power & data panel (2 power 2 data)
- Acoustic ceiling panels upholstered in Camira Nexus Chalk.
- 1 x 0.4" clear glass sliding door with soft open and close to include 2 levels of manifestations.
- 1 x Active PIR motion/occupancy sensor (passive infrared)
- 1.5" Satin Silver Anodised Aluminum frame
- 4" high aluminum extrusion crown as standard

Options

Options	\$
Select the Weather Lighting	POA
Airflow unit 10,595-12,713 ft ³ /h	POA
Oak Fluted wall panels (per pod)	POA
Oak Smooth wall panels (per pod)	POA
Cork - internal wall panel (each)	POA
Writeable glass (internal upgrade from acoustic)	POA
Magnetic writeable glass (internal upgrade from acoustic)	POA
Powder coating	POA
Sliding ventilation beam	POA
Acoustic roof mat	POA
Door Lock - Handle Height (Pivoting Door)	POA
Door Lock - Floor Level (Sliding Door)	POA
AV Upgrade 1	POA
AV Upgrade 2	POA
AV Upgrade 3	POA
Change to 8mm Glass Pivot Door	POA
Rear acoustic wall upgrade Band 1	POA
Rear acoustic wall upgrade Band 2	POA
Rear acoustic wall upgrade Band 3	POA



Acoustic performance is maximised when the pods are positioned on a carpeted surface, and when the acoustic roof mat is specified.



Model	Typical Occupancy	Frame Dimensions (H x W x D)	Price Band 1 Fabric	Price Band 2 Fabric	Price Band 3 Fabric
SCENE 3	4 people icon	89.5 x 118 x 105.5"	POA	POA	POA

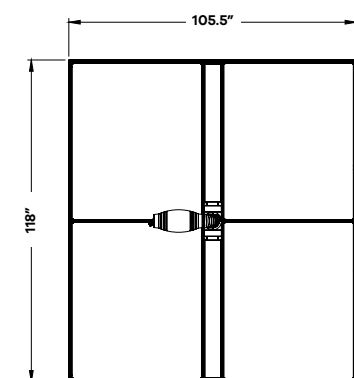
Price does not include packaging. Delivery and/or installation is an additional charge

Standard Specification

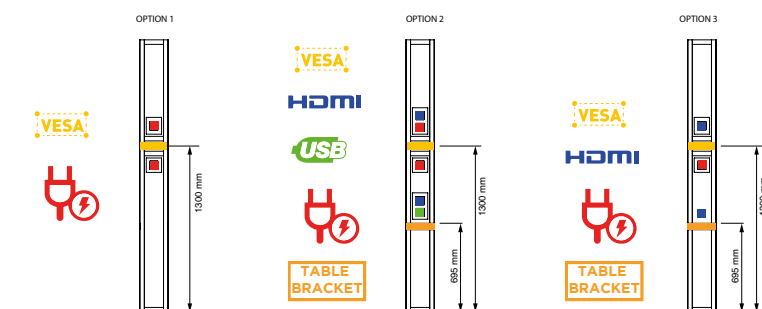
- Horizontal Beam Lighting
- Acoustic fully upholstered 105.5" (2680mm) walls
- 0.25" (8mm) toughened frameless clear glass 118" (3000mm) walls featuring 2 levels of DDA compliant White line manifestations
- 1 x Power arch with 1 x CAT6 power & data panel (2 power 2 data)
- Acoustic ceiling panels upholstered in Camira Nexus Chalk
- 1 x 0.4" clear glass sliding door with soft open and close to include 2 levels of manifestations
- 1 x Active PIR motion/occupancy sensor (passive infrared)
- 1.5" Satin Silver Anodised Aluminum frame
- 4" high aluminum extrusion crown as standard

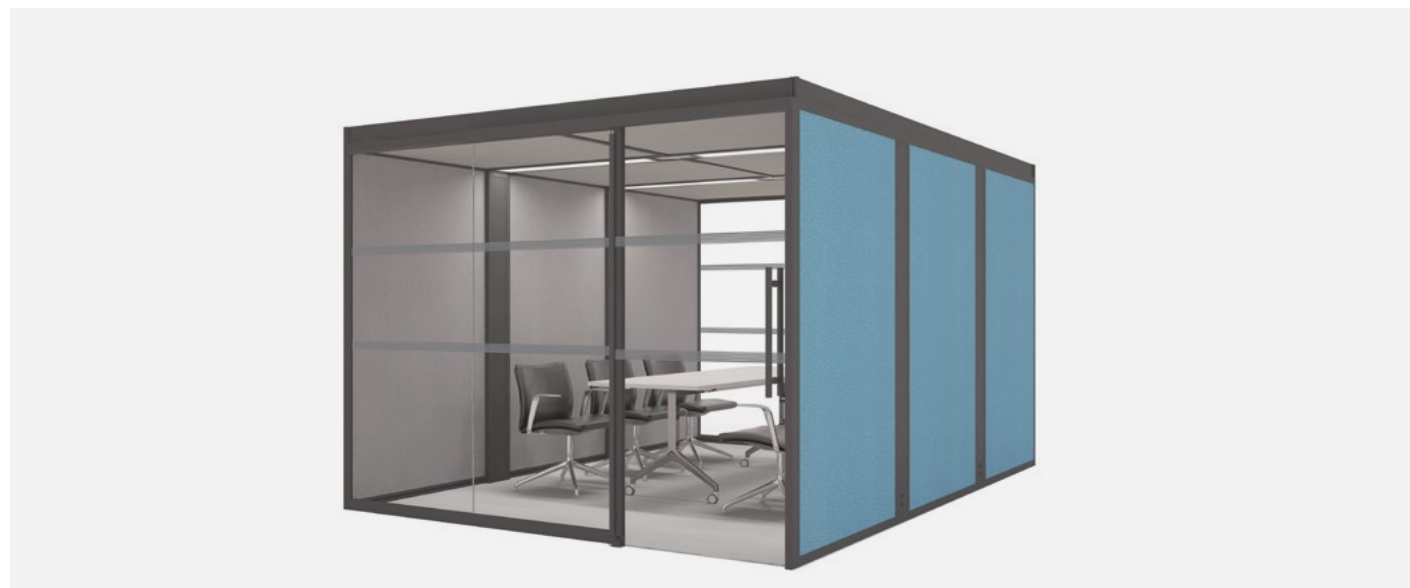
Options

Options	\$
Select the Weather Lighting	POA
Airflow unit 10,595-12,713 ft ³ /h	POA
Oak Fluted wall panels (per pod)	POA
Oak Smooth wall panels (per pod)	POA
Cork - internal wall panel (each)	POA
Writeable glass (internal upgrade from acoustic)	POA
Magnetic writeable glass (internal upgrade from acoustic)	POA
Powder coating	POA
Sliding ventilation beam	POA
Acoustic roof mat	POA
Door Lock - Handle Height (Pivoting Door)	POA
Door Lock - Floor Level (Sliding Door)	POA
AV Upgrade 1	POA
AV Upgrade 2	POA
AV Upgrade 3	POA
Change to 8mm Glass Pivot Door	POA
Rear acoustic wall upgrade Band 1	POA
Rear acoustic wall upgrade Band 2	POA
Rear acoustic wall upgrade Band 3	POA



Acoustic performance is maximised when the pods are positioned on a carpeted surface, and when the acoustic roof mat is specified.





Model	Typical Occupancy	Frame Dimensions (H x W x D)	Price Band 1 Fabric	Price Band 2 Fabric	Price Band 3 Fabric
SCENE 4	6 icons	89.5 x 118 x 161.25"	POA	POA	POA

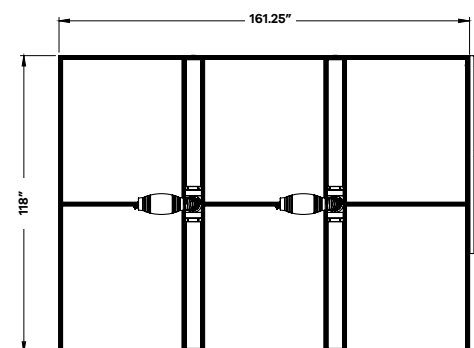
Price does not include packaging. Delivery and/or installation is an additional charge

Standard Specification

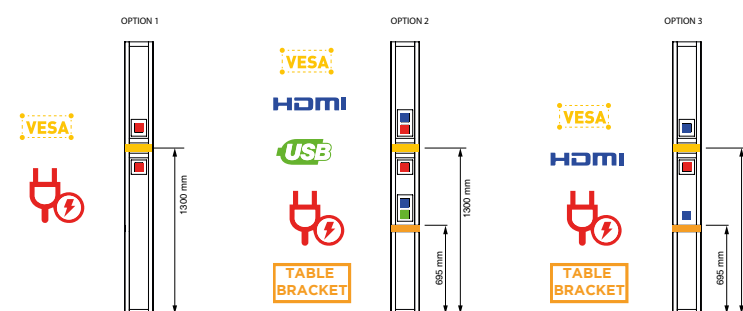
- Horizontal Beam Lighting
- Acoustic fully upholstered 161.25" (4095mm) walls
- 0.25" (8mm) toughened frameless clear glass 3000mm walls featuring 2 levels of DDA compliant White line manifestations
- 2 x Power arches with 2 x CAT6 power & data panels (2 power 2 data)
- Acoustic ceiling panels upholstered in Camira Nexus Chalk
- 1 x 0.4" clear glass sliding door with soft open and close to include 2 levels of manifestations
- 1 x Active PIR motion/occupancy sensor (passive infrared)
- 1.5" Satin Silver Anodised Aluminum frame
- 4" high aluminum extrusion crown as standard

Options

Options	\$
Select the Weather Lighting	POA
Airflow unit 10,595-12,713 ft ³ /h	POA
Oak Fluted wall panels (per pod)	POA
Oak Smooth wall panels (per pod)	POA
Cork - internal wall panel (each)	POA
Writeable glass (internal upgrade from acoustic)	POA
Magnetic writeable glass (internal upgrade from acoustic)	POA
Powder coating	POA
Sliding ventilation beam	POA
Acoustic roof mat	POA
Door Lock - Handle Height (Pivoting Door)	POA
Door Lock - Floor Level (Sliding Door)	POA
AV Upgrade 1	POA
AV Upgrade 2	POA
AV Upgrade 3	POA
Change to 8mm Glass Pivot Door	POA
Rear acoustic wall upgrade Band 1	POA
Rear acoustic wall upgrade Band 2	POA
Rear acoustic wall upgrade Band 3	POA



Acoustic performance is maximised when the pods are positioned on a carpeted surface, and when the acoustic roof mat is specified.



Model	Typical Occupancy	Frame Dimensions (H x W x D)	Price Band 1 Fabric	Price Band 2 Fabric	Price Band 3 Fabric
SCENE 5	6 icons	89.5 x 157.5 x 105.5"	POA	POA	POA

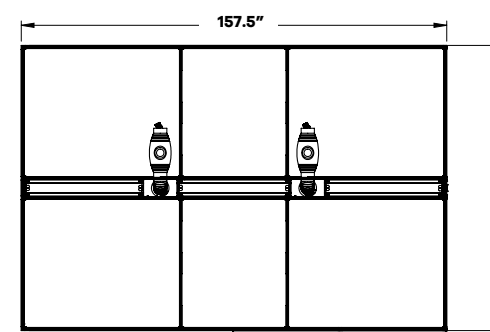
Price does not include packaging. Delivery and/or installation is an additional charge

Standard Specification

- Horizontal Beam Lighting
- Acoustic fully upholstered 105.5" (2680mm) walls
- 0.25" (8mm) toughened frameless clear glass 118" (3000mm) walls featuring 2 levels of DDA compliant White line manifestations
- 1 x Power arches with 1 x CAT6 power & data panels (2 power 2 data)
- Acoustic ceiling panels upholstered in Camira Nexus Chalk
- 1 x 0.4" clear glass sliding door with soft open and close to include 2 levels of manifestations
- 1 x Active PIR motion/occupancy sensor (passive infrared)
- 1.5" Satin Silver Anodised Aluminum frame
- 4" high aluminum extrusion crown as standard

Options

Options	\$
Select the Weather Lighting	POA
Airflow unit 10,595-12,713 ft ³ /h	POA
Oak Fluted wall panels (per pod)	POA
Oak Smooth wall panels (per pod)	POA
Cork - internal wall panel (each)	POA
Writeable glass (internal upgrade from acoustic)	POA
Magnetic writeable glass (internal upgrade from acoustic)	POA
Powder coating	POA
Sliding ventilation beam	POA
Acoustic roof mat	POA
Door Lock - Handle Height (Pivoting Door)	POA
Door Lock - Floor Level (Sliding Door)	POA
AV Upgrade 1	POA
AV Upgrade 2	POA
AV Upgrade 3	POA
Change to 8mm Glass Pivot Door	POA
Rear acoustic wall upgrade Band 1	POA
Rear acoustic wall upgrade Band 2	POA
Rear acoustic wall upgrade Band 3	POA



Acoustic performance is maximised when the pods are positioned on a carpeted surface, and when the acoustic roof mat is specified.

