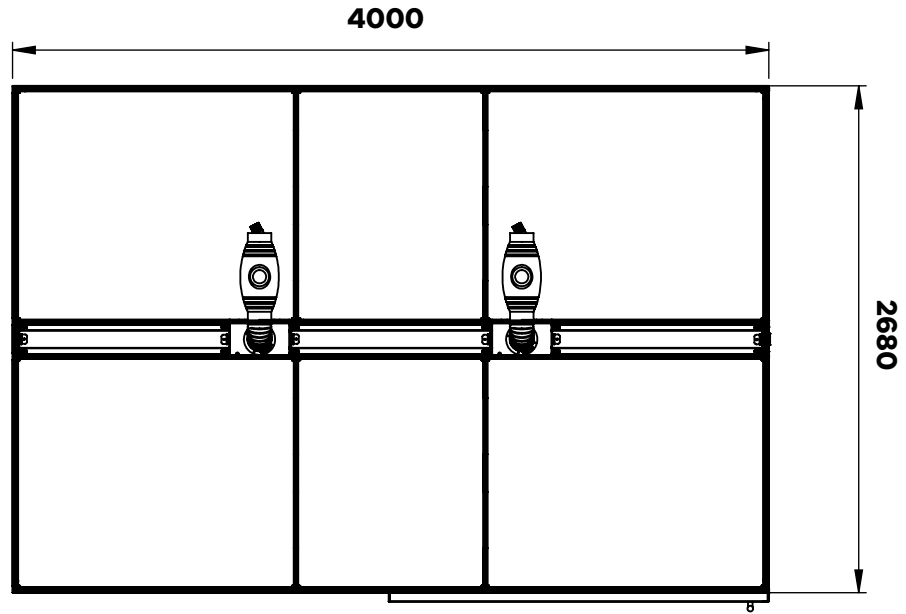




## Product features

- Horizontal Beam Lighting
- Acoustic fully upholstered 4095mm walls – Camira Lucia as standard
- 8mm toughened frameless clear glass 3000mm walls featuring 2 levels of DDA compliant White line manifestations
- 1 x Power arches with 1 x CAT6 power & data panels
- Acoustic ceiling panels (2 power 2 data) upholstered in Camira Nexus Chalk
- 1 x 10mm clear glass sliding door with soft open and close to include 2 levels of DDA compliant manifestations
- 1 x Active PIR motion/occupancy sensor (passive infrared)
- 35mm Satin Silver Anodised Aluminium frame
- 100mm high aluminium extrusion crown as standard
- Acoustic rated up to 37dB
- Acoustic performance is maximised when the pods are positioned on a carpeted surface.

# Aspect 5



Standard height: 2275mm  
External height with airflow unit: 2430mm

#### Upgrades available:

- AV Upgrade
- Air Circulation
- Powder Coating
- Textured wall finishes
- Pivoting and sliding door options
- Select the weather human centric lighting

Materials	Recycled Content (%)	Recyclability (%)
Acoustic Ceiling Tiles - Foam	0%	100%
Acoustic Ceiling Tiles - Fabric	0% (Nexus)	100% (Nexus)
Glass Wall Panels	30%	100%
Aluminium	75%	100%
Cladding Panels (per panel) - Cork	0%	100%
Cladding Panels (per panel) - Rust/Concrete	25%	100%
Cladding Panels (per panel) - Wood (veneered MDF)	25%	100%
Acoustic Panels (per panel) - Foam	0%	100%
Acoustic Panels (per panel) - Fabric	100% (Lucia)	100% (Lucia)

UK Global HQ  
Boss Drive  
Dudley  
West Midlands, DY2 8SZ  
T +44 (0) 1384 455570  
E sales@bossdesign.com

London Showroom  
7 Clerkenwell Road  
London EC1M 5PA  
T +44 (0) 20 7253 0364  
bossdesign.com