

Triad

Lyndon

Triad



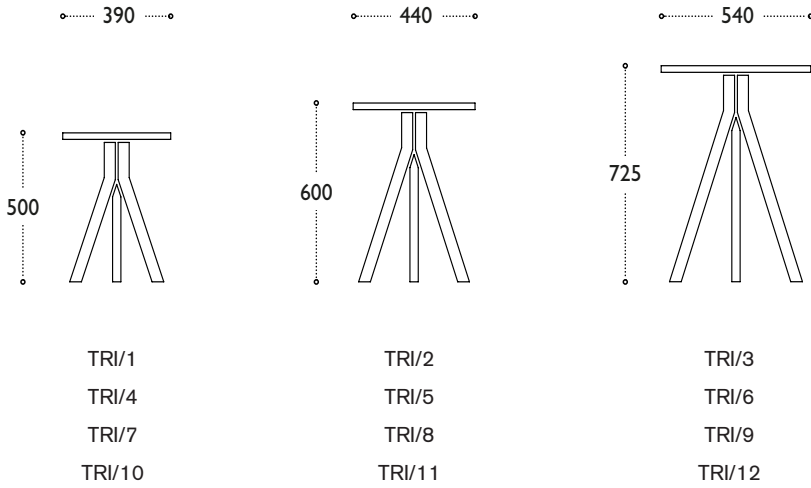
Product Sheet

Product features

- Table top with 7mm dish recess
- Frame available in American Black Walnut or European Oak



Tables



TRI/1
TRI/4
TRI/7
TRI/10

TRI/2
TRI/5
TRI/8
TRI/11

TRI/3
TRI/6
TRI/9
TRI/12

Environmental Product Breakdown - TRI/3 data shown



Materials	Weight (kg)	Weight (%)	Recycled Content (%)	Recyclability (%)
Oak	6.26	92.32%	0%	100%
Mild steel	0.48	7.12%	0%	100%
Zinc	0.006	0.09%	0%	100%
Steel	0.02	0.29%	0%	100%
Beech	0.006	0.09%	0%	100%
Nylon	0.005	0.08%	0%	100%

Ecological Credentials



Recycled Content (%)	Recyclability (%)
Recycled Content	0%
Recyclability	100%
Returnable Packaging	CFC & HCFC Free

CO² Measure



The total CO² measure has been officially verified by FIRA and includes utilities and transport from suppliers.

CO² per 1000 units - 19.33 tonnes
CO² per unit - 0.019 tonnes

UK Global HQ
Boss Drive
Dudley
West Midlands, DY2 8SZ
T +44 (0) 1384 455570
E sales@bossdesign.com

London Showroom
7 Clerkenwell Road
London EC1M 5PA
T +44 (0) 20 7253 0364
bossdesign.com