

Diana

Lyndon

Diana



Product Sheet



Product features

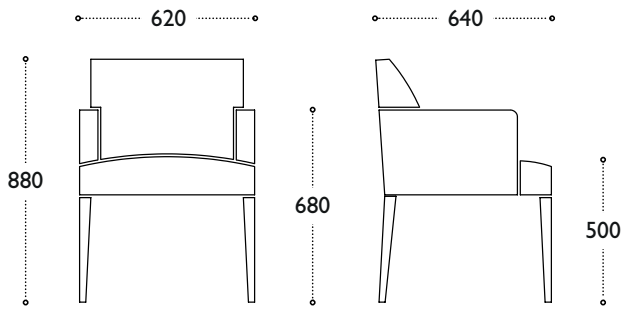
- Hardwood and plywood internal frame
- Fixed CMHR foams throughout
- Serpentine spring seat and back
- Timber: Beech, European Oak or American Black Walnut
- Beech timber finish options: Choice of Natural, Light Oak, Dark Oak, Cherry, Mahogany, Walnut, Wenge, Ebonised

Upholstery

Diana

Lyndon

Diana



DIA/1

Product Sheet

Environmental Product Breakdown



Materials	Weight (kg)	Weight (%)	Recycled Content (%)	Recyclability (%)
Beech	2.08	21.63%	0%	100%
Tulipwood	3.96	41.15%	0%	100%
Steel	0.88	9.13%	0%	100%
Polyurethane foam (new)	0.79	8.19%	0%	100%
Polyurethane foam (recon)	1.4	14.52%	85%	100%
Nylon	0.01	0.08%	0%	100%
Polyester	0.42	4.33%	20%	100%
PP Textile	0.09	0.98%	0%	0%



Ecological Credentials

Recycled Content (%)	Recyclability (%)
Recycled Content	14%
Recyclability	99.34%
Returnable Packaging	CFC & HCFC Free

CO² Measure



The total CO² measure has been officially verified by FIRA and includes utilities and transport from suppliers.

CO² per 1000 units - 30.28 tonnes
CO² per unit - 0.03 tonnes

UK Global HQ
Boss Drive
Dudley
West Midlands, DY2 8SZ
T +44 (0) 1384 455570
E sales@bossdesign.com

London Showroom
7 Clerkenwell Road
London EC1M 5PA
T +44 (0) 20 7253 0364
bossdesign.com

Upholstery