

Raft

boss
design

Raft



Product Sheet

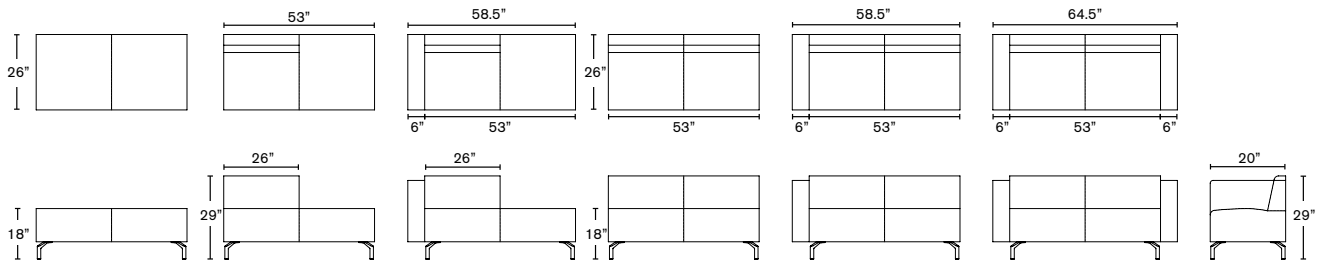
Product features

- Selection of single and double units
- Curve and corner units available
- Individual polished legs
- CMHR foam
- Optional arms
- Optional back
- Optional braked castors
- Optional linking mechanism
- Optional power and data
- FSC certified as standard

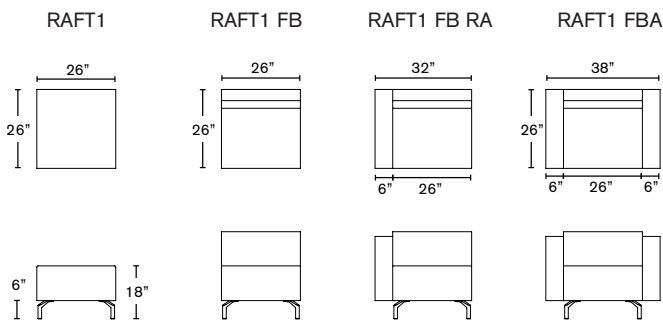


Modular

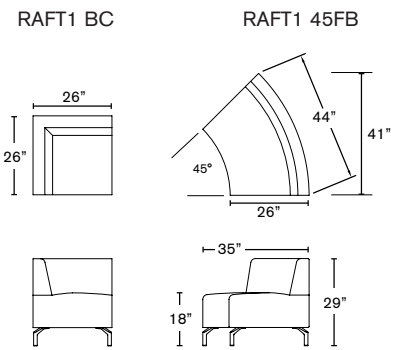
Raft



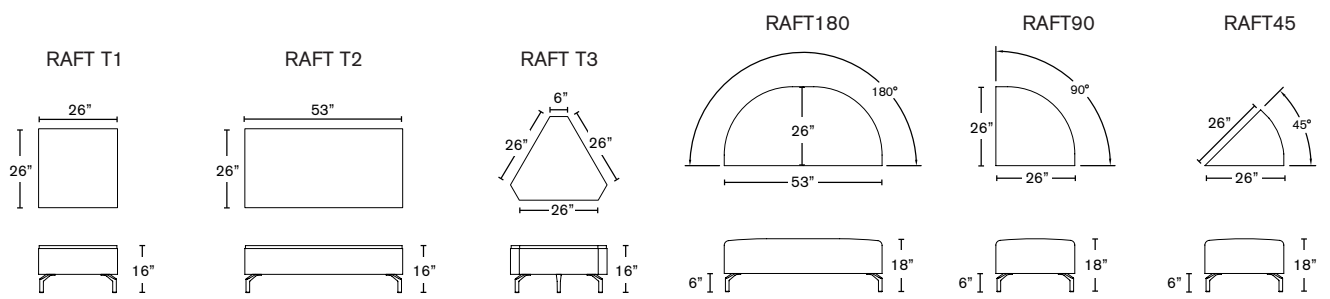
RAFT2 RAFT2 FB RAFT2 FB RA RAFT2 FB RAFT2 FBA



RAFT1 RAFT1 FB RAFT1 FB RA RAFT1 FBA



RAFT1 BC RAFT1 45FB



RAFT T1 RAFT T2 RAFT T3 RAFT180 RAFT90 RAFT45

North American HQ
 2014 Chestnut Street
 High Point
 N.C. 27262
 T +1 844-353-7834
 E sales@bossdesign.com

Chicago Showroom
 Third Floor, Suite 359
 Merchandise Mart
 Chicago
 IL 60654
 T +1 844-353-7834