

# Qube 360

boss  
design



Qube 360

Product Sheet

## Additional products:



Coza



Kruze bar stool

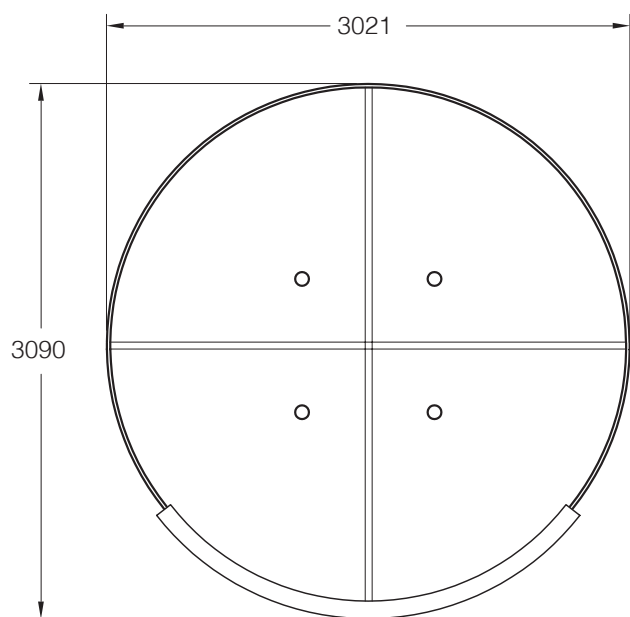
## Product features

- Fixed LED lighting
- Acoustic wall panels
- 5mm curved clear glass panels
- DDA compliant 50mm diameter manifestations
- Acoustic ceiling panels upholstered in Camira Nexus Pewter
- 1 x sliding 8mm glass door
- PIR motion/occupancy sensor
- 35mm white extrusion as standard
- Sound proofing up to 34db
- Upgrades available (see overleaf)

Pods

# Qube 360

boss  
design



Standard height: 2225mm  
External height with airflow unit: 2430mm

#### Upgrades available:

- Air circulation
- Powder coating

UK Global HQ  
Boss Drive  
Dudley  
West Midlands, DY2 8SZ  
T +44 (0) 1384 455570  
E sales@bossdesign.com

London Showroom  
7 Clerkenwell Road  
London EC1M 5PA  
T +44 (0) 20 7253 0364  
bossdesign.com