

Qube 180

boss
design



Qube 180

Product Sheet

Additional products:



Coza



Kruze bar stool

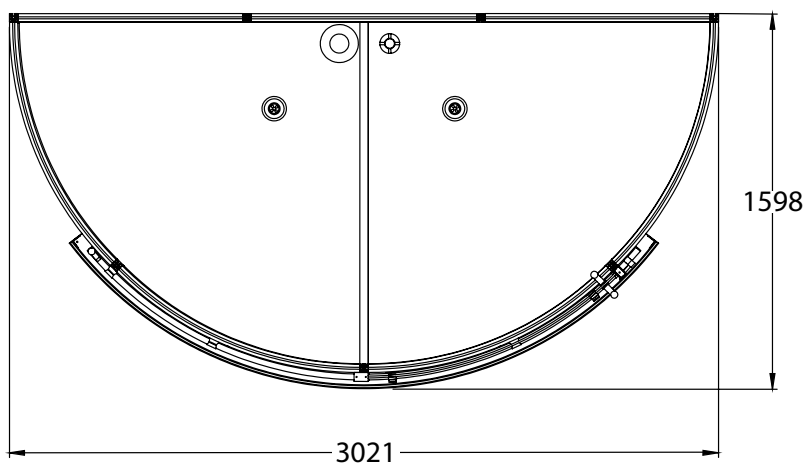
Product features

- Fixed LED lighting
- Acoustic wall panels
- 5mm curved clear glass panels
- DDA compliant 50mm diameter manifestations
- Acoustic ceiling panels upholstered in Camira Nexus Pewter
- 1 x sliding 8mm glass door
- PIR motion/occupancy sensor
- 35mm white extrusion as standard
- Sound proofing up to 34db
- Upgrades available (see overleaf)

Pods

Qube 180

boss
design



Standard height: 2275mm
External height with airflow unit: 2430mm

Upgrades available:

- Powder coating
- Air circulation

UK Global HQ
Boss Drive
Dudley
West Midlands, DY2 8SZ
T +44 (0) 1384 455570
E sales@bossdesign.com

London Showroom
7 Clerkenwell Road
London EC1M 5PA
T +44 (0) 20 7253 0364
bossdesign.com