

Portal

boss
design

Portal



Product Sheet

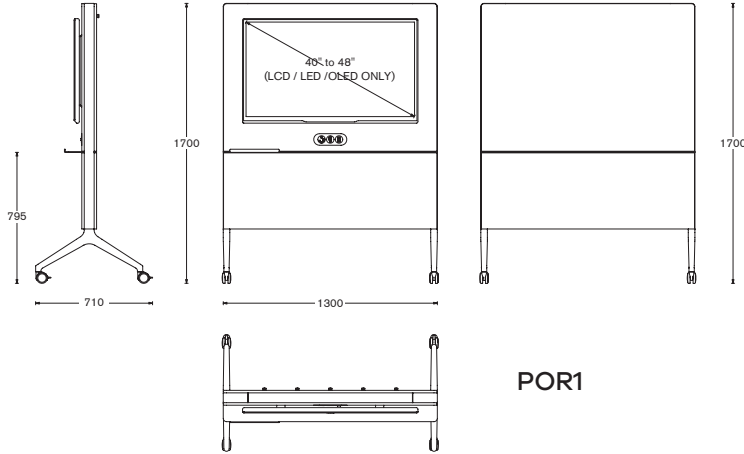


Product features

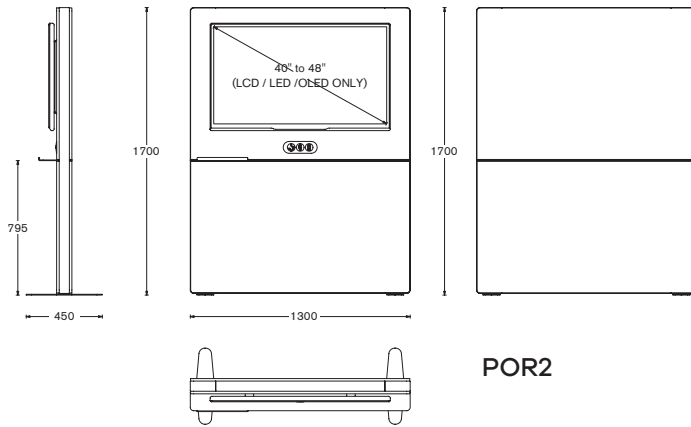
- Front and rear panels can be upholstered in a wide range of fabrics
- Rear panel available as a whiteboard
- Steel frame powder coated to RAL 9010 white
- Polished aluminium legs on mobile unit
- Lockable silver castors
- External Power Unit includes:
1x UK power socket
2x USB chargers
1x HDMI + USB TV input
- Internal power Unit
2x UK power sockets
- Supports monitors from 40" to 48"
- VESA flat display mounting interface (FDMI) variant F
- Please Note: TV/Monitor not supplied. Not suitable for use with plasma TVs.

Media units

Portal



POR1



POR2

Environmental Product Breakdown - POR1 data shown



| Materials | Weight (kg) | Weight (%) | Recycled Content (%) | Recyclability (%) |
|---------------|-------------|------------|----------------------|-------------------|
| Aluminium | 6 | 8.30 | 33 | 100 |
| MDF | 36.46 | 50.41 | 10 | 100 |
| Polypropylene | 0.4698 | 0.65 | 0 | 0 |
| Sheet metal | 0.1 | 0.14 | 100 | 100 |

Ecological Credentials



| Recycled Content (%) | Recyclability (%) |
|----------------------|-------------------|
| Recycled Content | 48.42 |
| Recyclability | 99.35 |
| Returnable Packaging | CFC & HCFC Free |

CO² Measure



The total CO² measure has been officially verified by FIRA and includes utilities and transport from suppliers.

CO² per 1000 units - 132.61 tonnes
CO² per unit - 0.133 tonnes

UK Global HQ
Boss Drive
Dudley
West Midlands, DY2 8SZ
T +44 (0) 1384 455570
E sales@bossdesign.com

London Showroom
7 Clerkenwell Road
London EC1M 5PA
T +44 (0) 20 7253 0364
bossdesign.com