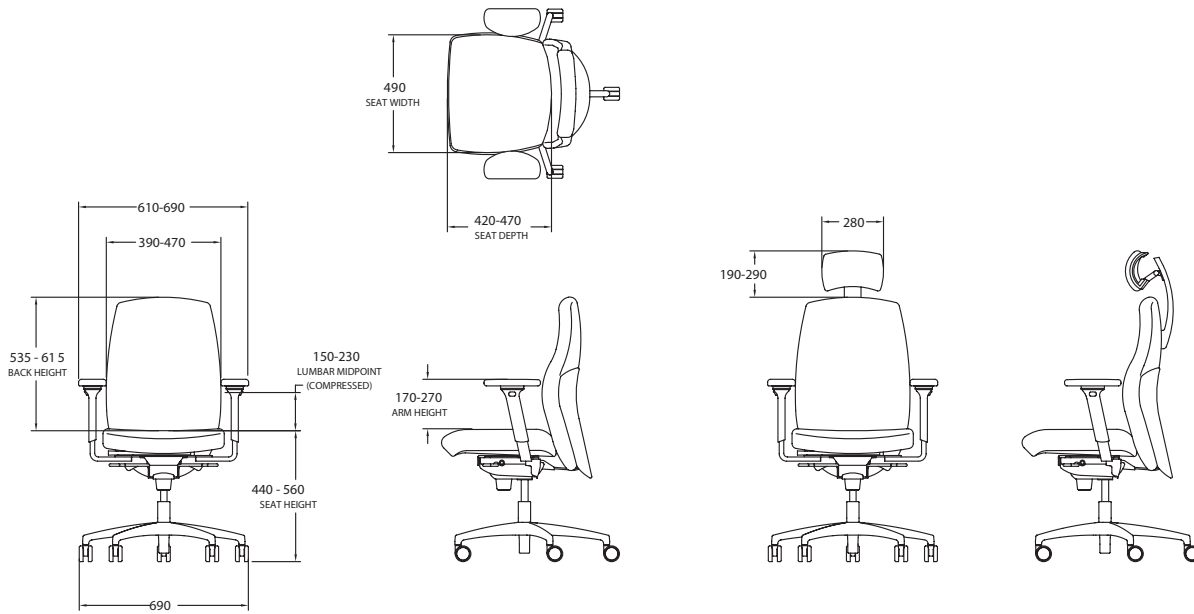




Product features

- Suitable for 24 hour use
- Concealed back height adjustment
- Multi-functional arms
- Synchronised mechanism
- Tension control
- 50mm sliding seat
- Polished aluminium base
- CMHR foam
- Optional headrest
- Maximum weight limit 150kg
- Optional inflatable lumbar



ONEC

ONECL

BS EN Certifications:
 BS EN 5459: 2000, Part 2
 BS EN 1335: 2000, Part 1
 BS EN ISO 9241: 1999, Part 5

Environmental Product Breakdown - ONECINFHEADREST data shown

Materials	Weight (kg)	Weight (%)	Recycled Content (%)	Recyclability (%)
Aluminium	2.04	10.36%	33%	100%
Beech	3.4	17.19%	0%	100%
Nylon	0.51	2.61%	0%	100%
PA	0.0008	0%	0%	100%
Polypropylene	1.44	7.29%	0%	100%
Polyurethane foam	1.62	8.22%	0%	0%
Steel	9.67	48.92%	100%	100%
Steel/Plastic/Oil	1.07	5.4%	0%	0%

Ecological Credentials

Recycled Content (%)	Recyclability (%)
Recycled Content	26.60%
Recyclability	86.38%
Returnable Packaging	CFC & HCFC Free

CO² Measure

The total CO² measure has been officially verified by FIRA and includes utilities and transport from suppliers.

CO² per 1000 units - 56.68 tonnes
 CO² per unit - 0.057 tonnes

UK Global HQ
 Boss Drive
 Dudley
 West Midlands, DY2 8SZ
 T +44 (0) 1384 455570
 E sales@bossdesign.com

London Showroom
 7 Clerkenwell Road
 London EC1M 5PA
 T +44 (0) 20 7253 0364
 bossdesign.com