

# One

boss  
design

One



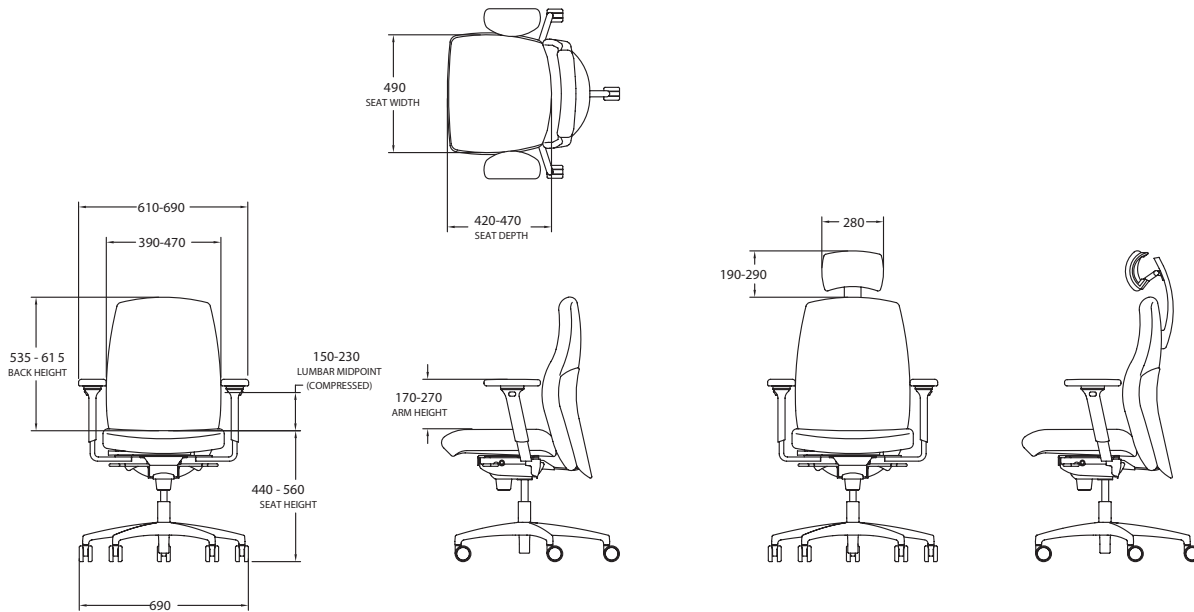
Product Sheet



### Product features

- Suitable for 24 hour use
- Concealed back height adjustment
- Multi-functional arms
- Synchronised mechanism
- Tension control
- 50mm sliding seat
- Polished aluminium base
- CMHR foam
- Optional headrest
- Maximum weight limit 150kg
- Optional inflatable lumbar

Task



ONEC

ONECL

BS EN Certifications:  
BS EN 5459: 2000, Part 2  
BS EN 1335: 2000, Part 1  
BS EN ISO 9241: 1999, Part 5

Environmental Product Breakdown - ONECINFHEADREST data shown

Materials	Weight (kg)	Weight (%)	Recycled Content (%)	Recyclability (%)
Aluminium	2.04	10.36%	33%	100%
Beech	3.4	17.19%	0%	100%
Nylon	0.51	2.61%	0%	100%
PA	0.0008	0%	0%	100%
Polypropylene	1.44	7.29%	0%	100%
Polyurethane foam	1.62	8.22%	0%	0%
Steel	9.67	48.92%	100%	100%
Steel/Plastic/Oil	1.07	5.4%	0%	0%

Ecological Credentials

Recycled Content (%)	Recyclability (%)
Recycled Content	26.60%
Recyclability	86.38%
Returnable Packaging	CFC & HCFC Free
Carbon Neutral	Yes
Climate Neutral	BS EN ISO 14001

CO<sup>2</sup> Measure

The total CO<sup>2</sup> measure has been officially verified by FIRA and includes utilities and transport from suppliers.

CO<sup>2</sup> per 1000 units - 56.68 tonnes  
CO<sup>2</sup> per unit - 0.057 tonnes

UK Global HQ  
Boss Drive  
Dudley  
West Midlands, DY2 8SZ  
T +44 (0) 1384 455570  
E sales@bossdesign.com

London Showroom  
7 Clerkenwell Road  
London EC1M 5PA  
T +44 (0) 20 7253 0364  
bossdesign.com