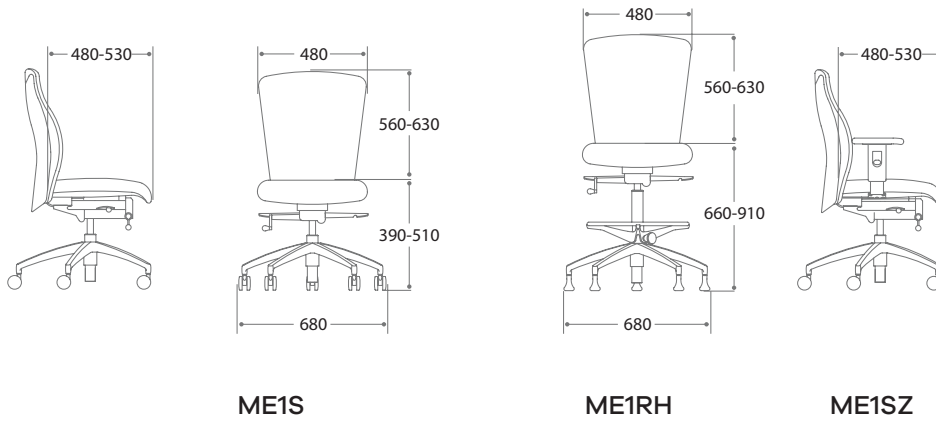




Product features

- Concealed back height adjustment
- Choice of arms – fixed, height adjustable or multifunctional
- Side tension synchro mechanism
- Black nylon base
- CMHR foam
- Optional sliding seat
- Optional polished aluminium base
- Maximum weight limit 150kg



ME1S

ME1RH

ME1SZ

BS EN Certifications:
BS EN 5459: 2000, Part 2
BS EN 1335: 2000, Part 1, 2 & 3

Environmental Product Breakdown - ME1S data shown



Materials	Weight (kg)	Weight (%)	Recycled Content (%)	Recyclability (%)
Aluminium	1	7.25%	33%	100%
GFN 30%	0.7	5.07%	0%	100%
Nylon	0.04	0.29%	0%	100%
PA GF30	2.02	14.68%	0%	100%
Polyurethane	0.88	6.38%	0%	0%
PP	0.34	2.46%	0%	100%
Steel	4.4	31.89%	100%	100%
Timber	3.36	24.34%	0%	100%

Ecological Credentials



Recycled Content (%)	Recyclability (%)
Recycled Content	34.28%
Recyclability	85.98%
Returnable Packaging	CFC & HCFC Free

CO² Measure



The total CO² measure has been officially verified by FIRA and includes utilities and transport from suppliers.

CO² per 1000 units - 42.67 tonnes
CO² per unit - 0.043 tonnes

UK Global HQ
Boss Drive
Dudley
West Midlands, DY2 8SZ
T +44 (0) 1384 455570
E sales@bossdesign.com

London Showroom
7 Clerkenwell Road
London EC1M 5PA
T +44 (0) 20 7253 0364
bossdesign.com