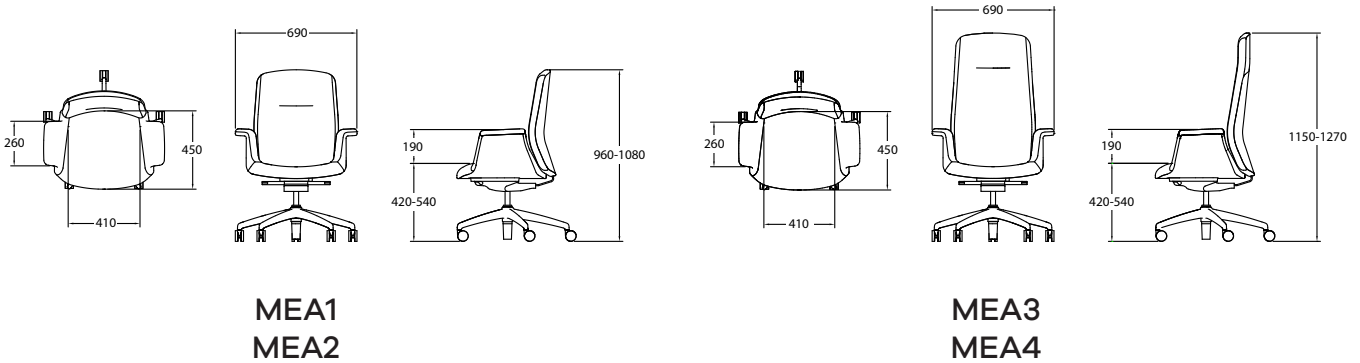




### Product features

- High & low-back options available
- Weight-balance synchro mechanism
- Shells can be upholstered in any fabric & a range of leathers
- Outer shells can be veneered
- Fabrics and colours can be mixed across the chair
- All with castors or glides
- Choice of polished aluminium five-star base or polymer five-star base in black



MEA1  
MEA2

MEA3  
MEA4

BS EN Certification: BS EN 1335: 2002 Part 1

### Environmental Product Breakdown - MEA4 data shown

Materials	Weight (kg)	Weight (%)	Recycled Content (%)	Recyclability (%)
Aluminium	3.86	19.17%	33%	100%
Nylon	0.59	2.93%	0%	100%
Plywood	10.37	51.46%	0%	100%
PP	0.17	0.84%	0%	100%
PU	2.12	10.55%	0%	0%
Steel	1.83	9.09%	100%	100%
Steel/Oil/PP	1.2	5.96%	0%	0%

### Ecological Credentials

Recycled Content (%)	Recyclability (%)
Recycled Content	18.69%
Recyclability	86.56%
Returnable Packaging	CFC & HCFC Free
Carbon Neutral	Yes
Climate Neutral	BS EN ISO 14001

### CO<sup>2</sup> Measure

The total CO<sup>2</sup> measure has been officially verified by FIRA and includes utilities and transport from suppliers.

CO<sup>2</sup> per 1000 units - 60.86 tonnes  
CO<sup>2</sup> per unit - 0.061 tonnes

UK Global HQ  
Boss Drive  
Dudley  
West Midlands, DY2 8SZ  
T +44 (0) 1384 455570  
E sales@bossdesign.com

London Showroom  
7 Clerkenwell Road  
London EC1M 5PA  
T +44 (0) 20 7253 0364  
bossdesign.com