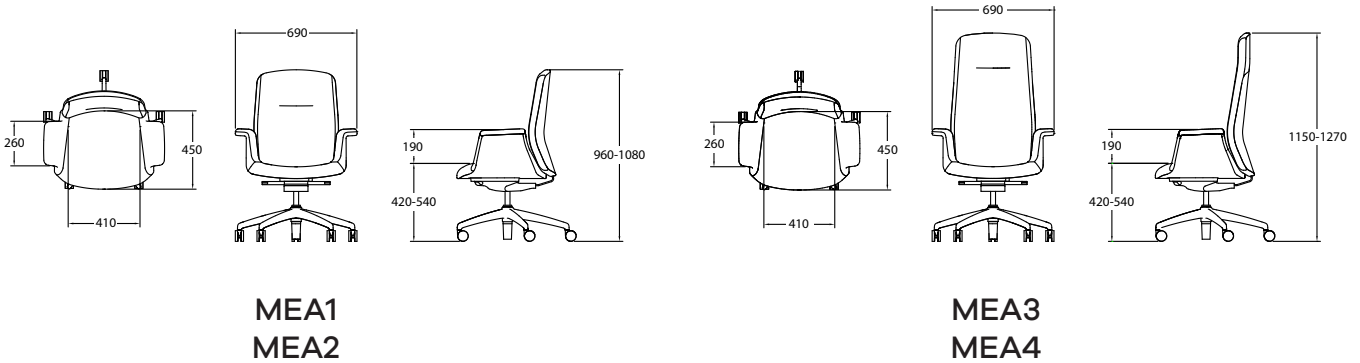




Product features

- High & low-back options available
- Weight-balance synchro mechanism
- Shells can be upholstered in any fabric & a range of leathers
- Outer shells can be veneered
- Fabrics and colours can be mixed across the chair
- All with castors or glides
- Choice of polished aluminium five-star base or polymer five-star base in black



MEA1
MEA2

MEA3
MEA4

BS EN Certification: BS EN 1335: 2002 Part 1

Environmental Product Breakdown - MEA4 data shown

Materials	Weight (kg)	Weight (%)	Recycled Content (%)	Recyclability (%)
Aluminium	3.86	19.17%	33%	100%
Nylon	0.59	2.93%	0%	100%
Plywood	10.37	51.46%	0%	100%
PP	0.17	0.84%	0%	100%
PU	2.12	10.55%	0%	0%
Steel	1.83	9.09%	100%	100%
Steel/Oil/PP	1.2	5.96%	0%	0%

Ecological Credentials

Recycled Content (%)	Recyclability (%)
Recycled Content	18.69%
Recyclability	86.56%
Returnable Packaging	CFC & HCFC Free

CO² Measure

The total CO² measure has been officially verified by FIRA and includes utilities and transport from suppliers.

CO² per 1000 units - 60.86 tonnes
CO² per unit - 0.061 tonnes

UK Global HQ
Boss Drive
Dudley
West Midlands, DY2 8SZ
T +44 (0) 1384 455570
E sales@bossdesign.com

London Showroom
7 Clerkenwell Road
London EC1M 5PA
T +44 (0) 20 7253 0364
bossdesign.com