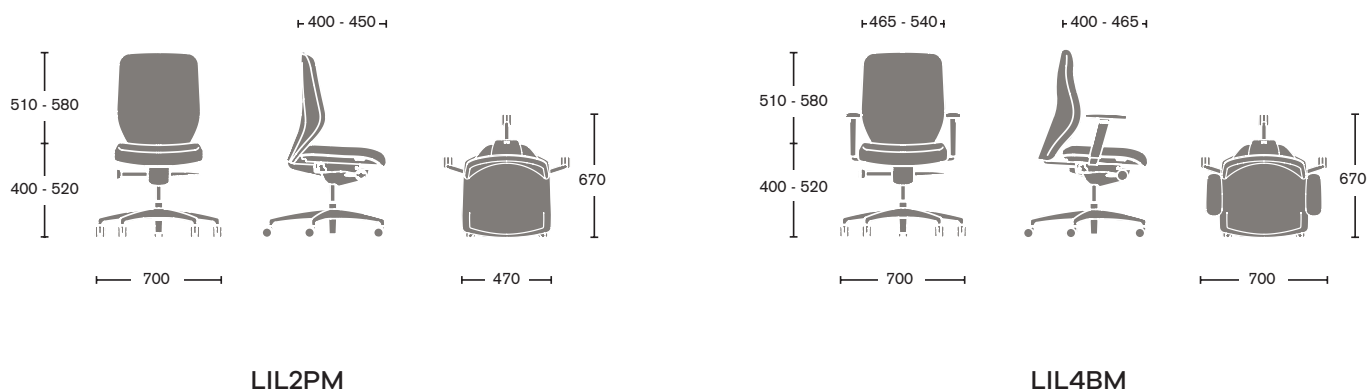




Product features

- 120mm seat height adjustment
- Synchronised mechanism
- Black nylon base
- Maximum weight limit 150kg



LIL2PM

LIL4BM

BS EN Certifications:
BS EN 5459: 2000 Part 2
BS EN 1335: 2000 Parts 2 & 3

Environmental Product Breakdown - LIL1 data shown

Materials	Weight (kg)	Weight (%)	Recycled Content (%)	Recyclability (%)
GFN 30%	2.75	20.09%	0%	100%
Nylon	0.0016	0.01%	0%	100%
PA6 GF30	2.0255	14.8%	0%	100%
Polypropylene	1.6295	11.91%	0%	100%
PU	0.7115	5.2%	0%	0%
Steel	5.5122	40.28%	100%	100%
Steel/PP/Oil	1.0555	7.71%	0%	0%

Ecological Credentials

Recycled Content (%)	Recyclability (%)
Recycled Content	40.28%
Recyclability	87.09%
Returnable Packaging	CFC & HCFC Free
Carbon Neutral	Yes
Climate Neutral	BS EN ISO 14001

CO² Measure

The total CO² measure has been officially verified by FIRA and includes utilities and transport from suppliers.

CO² per 1000 units - 49.74 tonnes
CO² per unit - 0.05 tonnes

UK Global HQ
Boss Drive
Dudley
West Midlands, DY2 8SZ
T +44 (0) 1384 455570
E sales@bossdesign.com

London Showroom
7 Clerkenwell Road
London EC1M 5PA
T +44 (0) 20 7253 0364
bossdesign.com