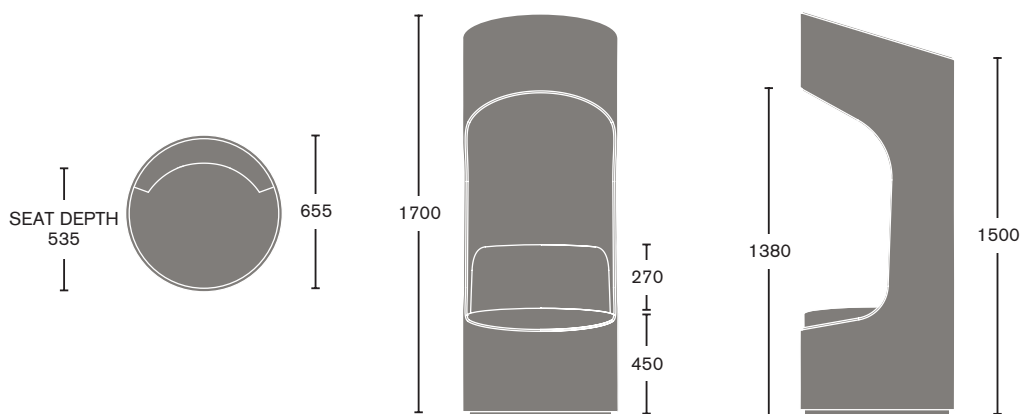




## Product features

- Swivel base unit with soft running castors
- Fixed lumbar cushion
- Contoured design to reduce peripheral vision for maximum privacy
- Open top structure allows access for ambient light to pass through
- Fully upholstered heat welded vertical fluting internal upholstery - available in 6 colours
- External upholstery can be any fabric or vinyl (cannot upholster exterior in leather). Seat and lumbar cushion can be upholstered in any fabric, leather or vinyl
- External twin stitch detail with internal and external piping
- Acoustic qualities
- Easy to relocate



CEG/1

## Environmental Product Breakdown - CEG1 data shown



Materials	Weight (kg)	Weight (%)	Recycled Content (%)	Recyclability (%)
Birch Plywood	2.2	5.05%	0%	100%
Cardboard	19.75	45.37%	100%	100%
Felt	0.032	0.07%	0%	100%
MDF	2.334	5.36%	0%	100%
Polyurethane	2.3	5.28%	0%	0%
PP	1.06	2.44%	0%	100%
Steel	15.854	36.42%	100%	100%

## Ecological Credentials



Recycled Content (%)	Recyclability (%)
Recycled Content	83.4%
Recyclability	94.72%
Returnable Packaging	CFC & HCFC Free

## CO<sup>2</sup> Measure



The total CO<sup>2</sup> measure has been officially verified by FIRA and includes utilities and transport from suppliers.

CO<sup>2</sup> per 1000 units - 57.35 tonnes  
CO<sup>2</sup> per unit - 0.057 tonnes

UK Global HQ  
Boss Drive  
Dudley  
West Midlands, DY2 8SZ  
T +44 (0) 1384 455570  
E sales@bossdesign.com

London Showroom  
7 Clerkenwell Road  
London EC1M 5PA  
T +44 (0) 20 7253 0364  
bossdesign.com