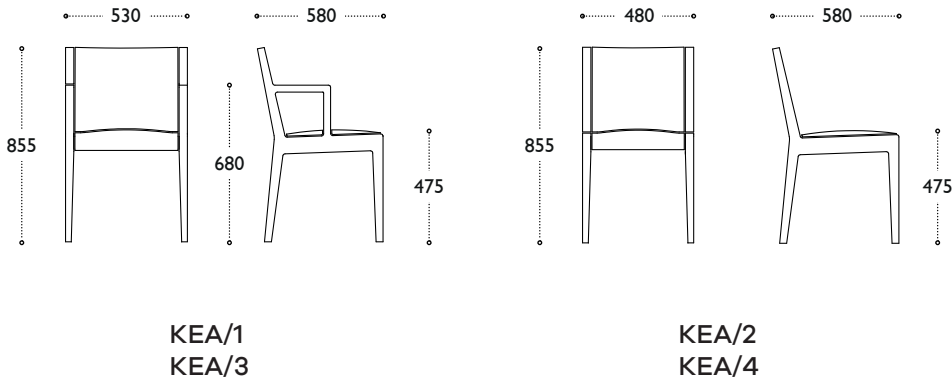




### Product features

- Fixed CMHR foam seat and back
- Comb-joint detail
- Available with or without arms
- Finish: American Black Walnut or European Oak





## Environmental Product Breakdown - range overview



Materials	Weight (kg)	Weight (%)	Recycled Content (%)	Recyclability (%)
Tulipwood	0.52	3.96%	0%	100%
Birch Plywood	1.7	12.87%	0%	100%
Oak	6.37	48.2%	0%	100%
Plywood	0.33	2.54%	0%	100%
Polyurethane foam (new)	0.56	4.25%	0%	100%
Polyurethane foam (recon)	0.2	1.49%	90%	100%
Ply laminate	3.47	26.3%	0%	100%
Plastic	0.005	0.04%	0%	100%
Steel	0.01	0.09%	0%	100%
PP Textile	0.03	0.27%	0%	0%

## Ecological Credentials



Recycled Content (%)	Recyclability (%)
Recycled Content	1%
Recyclability	99.73%
Returnable Packaging	CFC & HCFC Free

## CO<sup>2</sup> Measure



The total CO<sup>2</sup> measure has been officially verified by FIRA and includes utilities and transport from suppliers.

CO<sup>2</sup> per 1000 units - 26.72 tonnes  
CO<sup>2</sup> per unit - 0.026 tonnes

UK Global HQ  
Boss Drive  
Dudley  
West Midlands, DY2 8SZ  
T +44 (0) 1384 455570  
E sales@bossdesign.com

London Showroom  
7 Clerkenwell Road  
London EC1M 5PA  
T +44 (0) 20 7253 0364  
bossdesign.com